

CALMINI

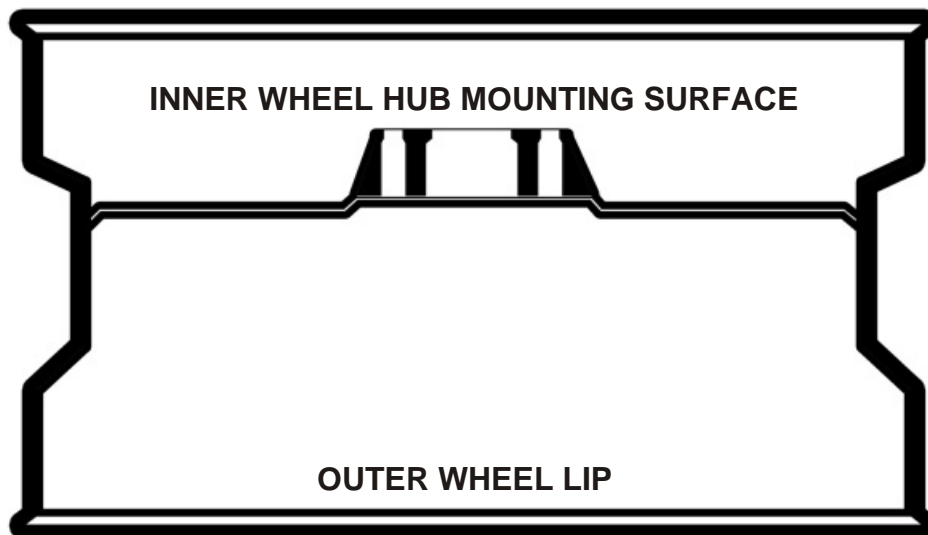
IMPORTANT!

It is extremely important for proper front suspension setup and component life that the front wheels have the proper wheel backspacing as recommended by CALMINI Products. A properly backspaced wheel will leverage the front coils to insure proper ride height, wheel alignment (camber) and strut and steering component life. **CALMINI Products will not warranty components that fail prematurely due to the use of wheels with improper backspacing.**

CALMINI RECOMMENDED TIRE SIZE & WHEEL BACKSPACE

- SIDEKICK/TRACKER/VITARA/ESCUDO EQUIPPED WITH SK19500 2" SUSPENSION LIFT:
TIRE SIZE: 29" x 9.25" WHEEL BACKSPACE: 3"-3.25"
- SIDEKICK/TRACKER/VITARA/ESCUDO EQUIPPED WITH SK19900 3" SUSPENSION LIFT:
TIRE SIZE: 30" x 9.5" WHEEL BACKSPACE: 2"-2.5"
- SIDEKICK/TRACKER/VITARA/ESCUDO EQUIPPED WITH SK19500 2" SUSPENSION + SK1960x 3" BODY LIFT:
TIRE SIZE: 31" x 10.5" WHEEL BACKSPACE: 2.75"-3.25"
- SIDEKICK/TRACKER/VITARA/ESCUDO EQUIPPED WITH SK19900 3" SUSPENSION LIFT + SK1960x 3" BODY LIFT (SK19700):
TIRE SIZE: 32" x 9.5" WHEEL BACKSPACE: 2"-2.5"
- TRACKER/VITARA/GRAND VITARA/XL-7 EQUIPPED WITH SK1980x 2.5" SUSPENSION LIFT:
TIRE SIZE: 29" x 9.25" WHEEL BACKSPACE: 2"-2.5"
TIRE SIZE: 30" x 9.5" WHEEL BACKSPACE: 2"-2.5" (THIS TIRE SIZE WILL REQUIRE LIGHT FENDER TRIMMING)

INNER WHEEL LIP



WHEEL BACKSPACING IS MEASURED AS THE DISTANCE BETWEEN THE INNER WHEEL HUB MOUNTING SURFACE AND THE INNER WHEEL LIP. TO TAKE THIS MEASUREMENT, PLACE THE WHEEL FACE DOWN ON A FLAT SURFACE SO THE INNER WHEEL LIP IS FACING UP. PLACE A STRAIGHT EDGE ACROSS THE INNER WHEEL LIP AND MEASURE THE DISTANCE BETWEEN THE INNER WHEEL HUB MOUNTING SURFACE AND THE STRAIGHT EDGE. IF YOU HAVE ANY QUESTIONS, CONTACT CALMINI TECHNICAL SUPPORT AT (800) 345-3305 OR VIA E-MAIL AT SALES@CALMINI.COM. HOURS OF OPERATION ARE 8AM TO 5PM PST, MONDAY THROUGH FRIDAY.